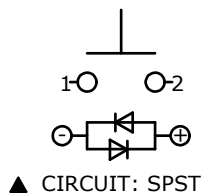
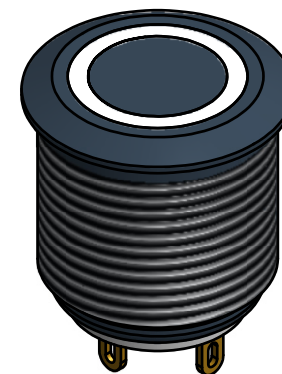
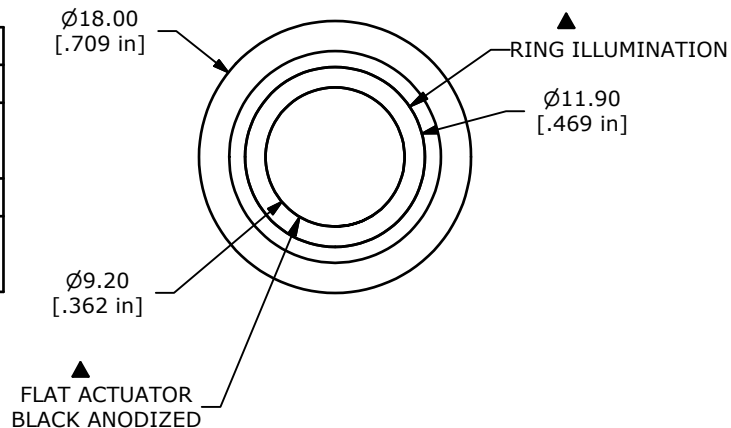
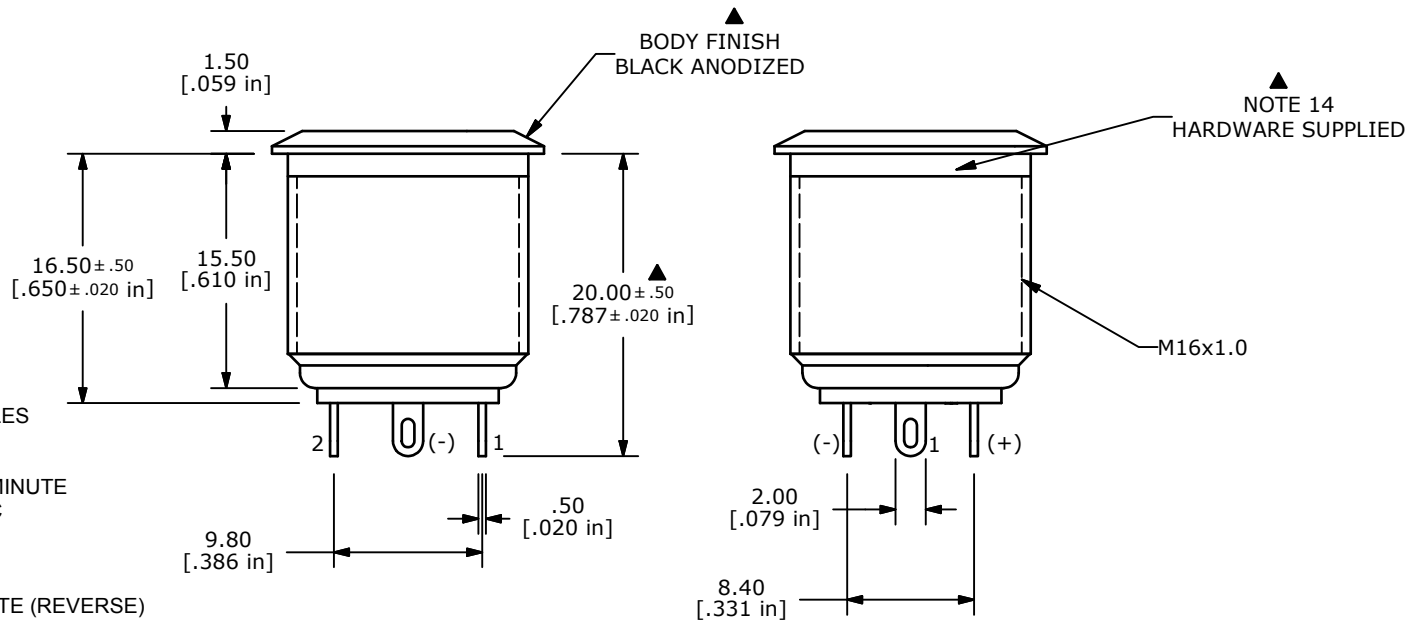


SWITCH FUNCTION	
POS. 1	POS. 2
OFF	(ON)
OPEN	1-2

(ON) = MOMENTARY



- NOTE:
1. ALL DIMENSIONS IN MM [INCH]
 2. GENERAL TOLERANCE: X.X=±0.4 X.XX=±0.25
 3. TERMINAL NUMBERS FOR REF ONLY
 - ▲ 4. CONTACT MATERIAL: SILVER
 5. RATING: 2A 48VDC
 6. ELECTRIC LIFE: 200,000 MAKE-AND-BREAK CYCLES AT FULL LOAD.
 7. INSULATION RESISTANCE: 1,000 MΩ MIN.
 8. DIELECTRIC STRENGTH: 2,000 VAC MIN. FOR 1 MINUTE
 9. CONTACT RESISTANCE: 50mΩ MAX. @ 1A 12VDC
 10. OPERATING TEMP.: -20°C to 55°C
 - ▲ 11. TRAVEL: 1.8mm
 12. ▲ DENOTES CRITICAL PARAMETER.
 - ▲ 13. ILLUMINATION COLOR: WHITE (FORWARD), WHITE (REVERSE)
 14. HARDWARE SUPPLIED: O-RING AND HEXNUT (NOT SHOWN)
 15. ILLUMINATION BASE RATING: 20mA 2.8V
 16. 2002/95/EC (ROHS) COMPLIANT



TITLE PV6F24011-301

A	21785	RELEASE FOR PRODUCTION	3/3/15	rc
REV	PCR NO	DESCRIPTION	DATE	BY

THE INFORMATION CONTAINED IN THIS DOCUMENT IS PROPRIETARY TO E-SWITCH AND IS NOT TO BE COPIED OR TRANSFERRED

SCALE 2:1	DATE 3/3/2015	DR rc	DWG 52-PV6F24011301	REV A
-----------	---------------	-------	---------------------	-------